

FP-BES-U Split flange plates

with brush strips



RoHS
compliant

REACH
COMPLIANCE

Made in
Germany

Two-part flange plates, each with two brush strips arranged in opposite directions with different trim heights (1 x 35 mm and 1 x 50 mm). They enable the routing of cables already pre-assembled with connectors and prevent dirt from entering the enclosure.

The flange plates are designed for Rittal enclosures of type AX.

icotek also produces flange plates with brush strips for numerous other enclosure brands. Ask us at pm@icotek.com!

Specifications

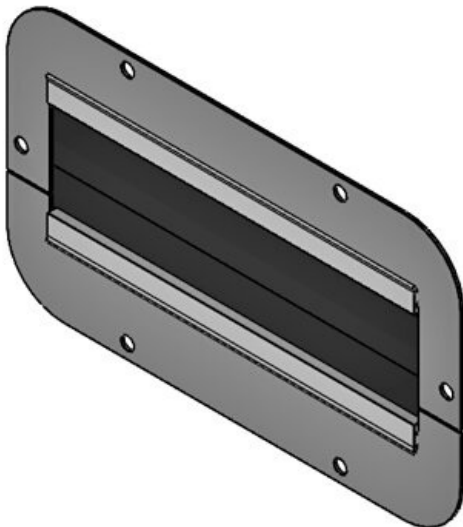
Material	Sheet steel, powder coated Brushes: Polyamide
Operating temperature	-20 C° to 90 C°
Properties	halogen free, silicone free

Advantages & benefits

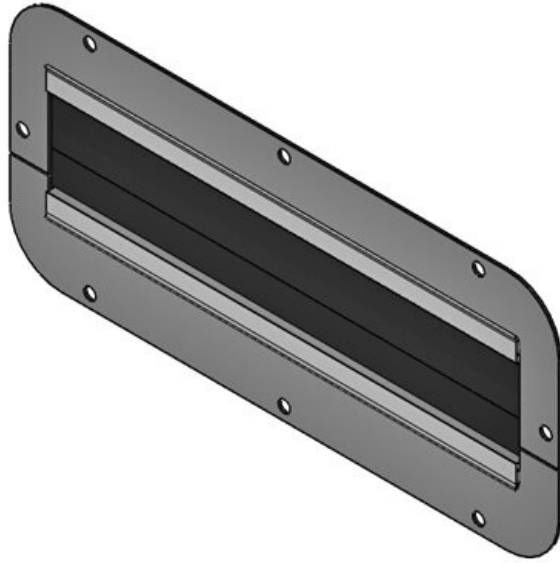
- Easy assembly
- Proven brush solution
- The use of two overlapping brush strips arranged in opposite directions increases tightness
- Ready for installation

Product types & sizes

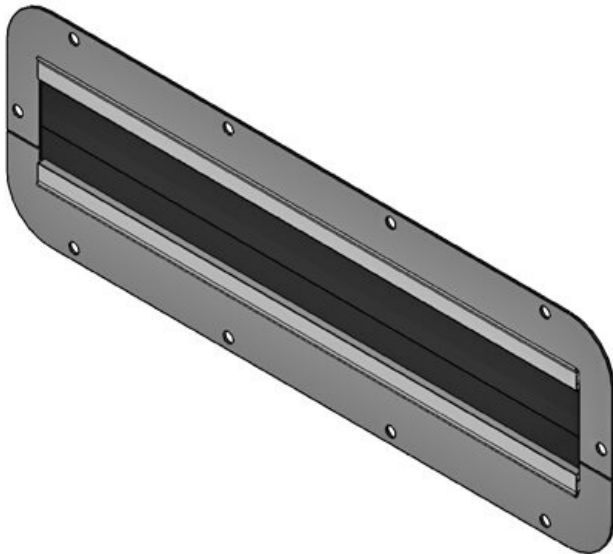
FP-AX-BES-U 256|149



Part No.	44100	Suitable for	Rittal AX
EAN	4251269324	enclosure	
	918		
Package quantity	1		
Colour	grey (RAL 7035)		
Length	256 mm		
Width	149 mm		
Flange plate size	1		



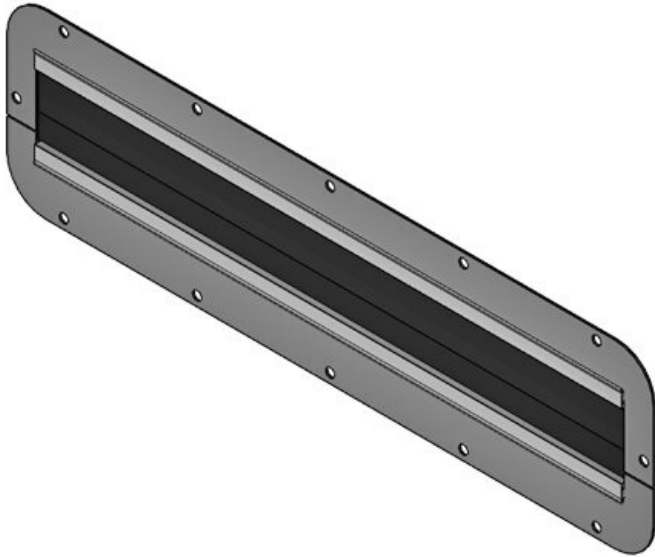
Part No.	44101	Suitable for	Rittal AX
EAN	4251269324	enclosure	
	925		
Package quantity	1		
Colour	grey (RAL 7035)		
Length	339 mm		
Width	149 mm		
Flange plate size	2		



Part No.	44102	Suitable for	Rittal AX
EAN	4251269324	enclosure	
	932		
Package quantity	1		
Colour	grey (RAL 7035)		
Length	447 mm		
Width	149 mm		
Flange plate size	3		

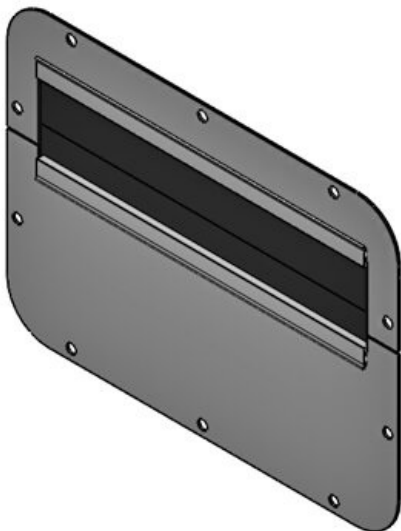
FP-AX-BES-U 534|149

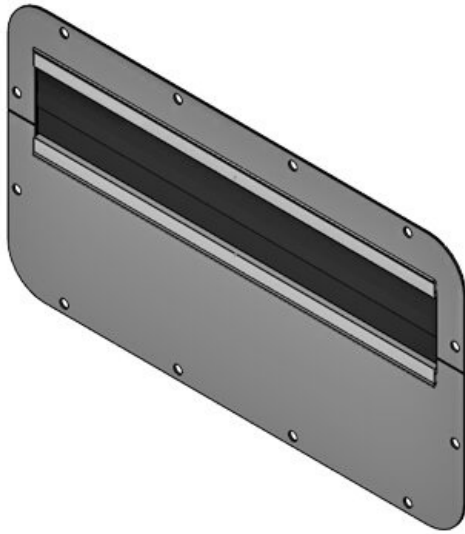
Part No.	44103	Suitable for	Rittal AX
EAN	4251269324	enclosure	
	949		
Package quantity	1		
Colour	grey (RAL 7035)		
Length	534 mm		
Width	149 mm		
Flange plate size	4		



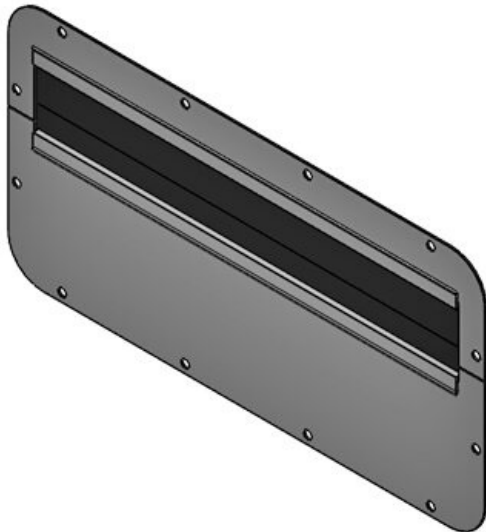
FP-AX-BES-U 301|221

Part No.	44104	Suitable for	Rittal AX
EAN	4251269324	enclosure	
	956		
Package quantity	1		
Colour	grey (RAL 7035)		
Length	301 mm		
Width	221 mm		
Flange plate size	5		





Part No. **44105** Suitable for **Rittal AX**
EAN **4251269324** enclosure
963
Package quantity **1**
Colour **grey (RAL 7035)**
Length **401 mm**
Width **221 mm**
Flange plate size **6**



Part No. **44106** Suitable for **Rittal AX**
EAN **4251269324** enclosure
970
Package quantity **1**
Colour **grey (RAL 7035)**
Length **436 mm**
Width **221 mm**
Flange plate size **7**